

Cadastre seu produto e obtenha suporte em
Registre seu produto e obtenha assistência em
www.philips.com/welcome

AZ300



EN [User manual](#)

PT-BR [Manual do Usuário](#)

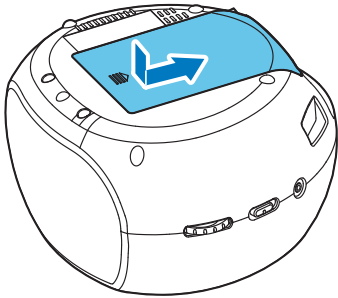
ES [Manual del usuario](#)

PHILIPS



Connect power
Conexión de la alimentación
Energia

1

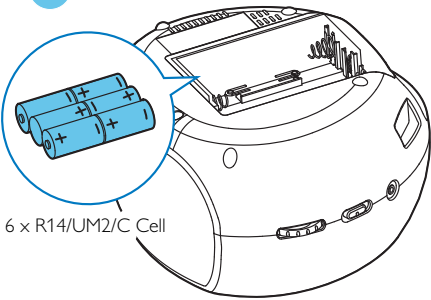


EN To play with the device, you can use either alkaline battery (R14) or AC power. Before connecting AC power, adjust the voltage selector to correspond to the local power voltage.

ES Para reproducir contenido con el dispositivo, puede usar baterías alcalinas (R14) o alimentación de CA. Antes de conectar a la alimentación de CA, ajuste el selector para que coincida con el voltaje de la red local.

PT-BR Para o funcionamento do dispositivo, você pode usar pilhas alcalinas (R14) ou energia AC. Antes de conectar a energia AC, ajuste o seletor de tensão de acordo com a tensão local.

2

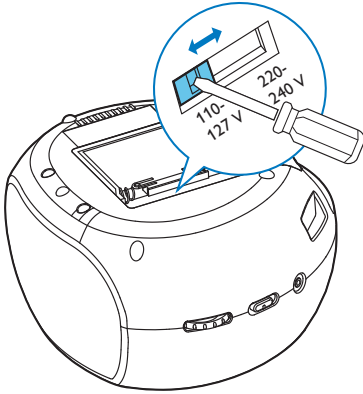


6 x R14/UM2/C Cell



Connect power
Conexión de la alimentación
Energia

1

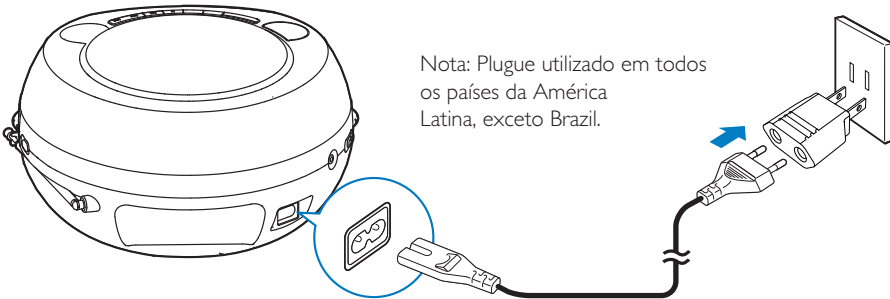


EN To play with the device, you can use either alkaline battery (R14) or AC power. Before connecting AC power, adjust the voltage selector to correspond to the local power voltage.

ES Para reproducir contenido con el dispositivo, puede usar baterías alcalinas (R14) o alimentación de CA. Antes de conectar a la alimentación de CA, ajuste el selector para que coincida con el voltaje de la red local.

PT-BR Para o funcionamento do dispositivo, você pode usar pilhas alcalinas (R14) ou energia AC. Antes de conectar a energia AC, ajuste o seletor de tensão de acordo com a tensão local.

2



Nota: Plugue utilizado em todos os países da América Latina, exceto Brasil.

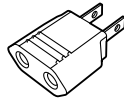
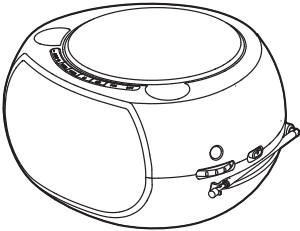
EN Before using your product, read all accompanying safety information.

PT-BR Antes de usar o produto, leia todas as informações de segurança fornecidas.

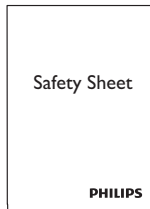
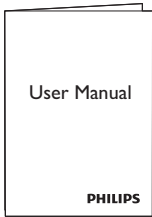
ES Antes de usar su producto, lea toda la información de seguridad adjunta.



What's in the box
Contenido de la caja
Conteúdo da caixa



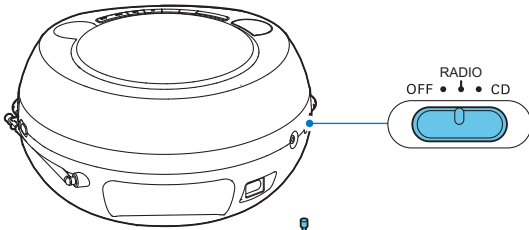
Excluyendo Brasil
Excluindo Brasil



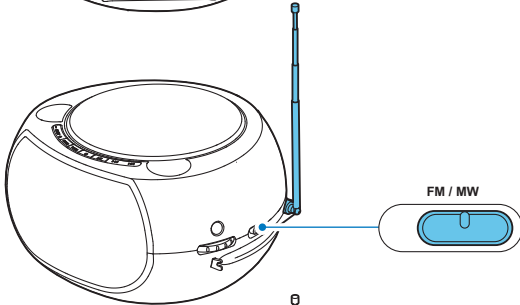


Listen to FM/MW radio
Reproducción de radio FM/MW
Ouvir rádio FM/MW

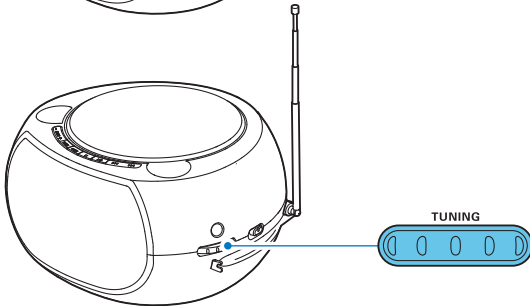
1



2



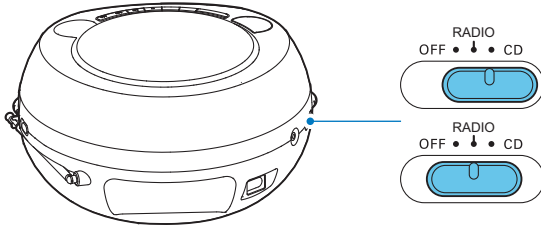
3



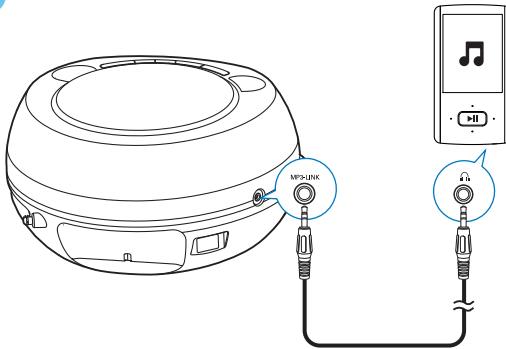


Listen to an external audio device
Cómo escuchar un dispositivo de audio externo
Ouvir um aparelho de áudio externo

1



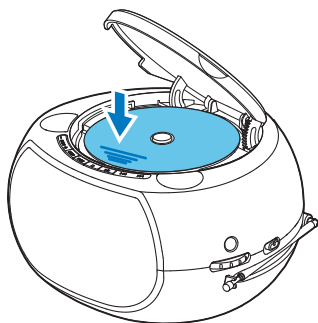
2



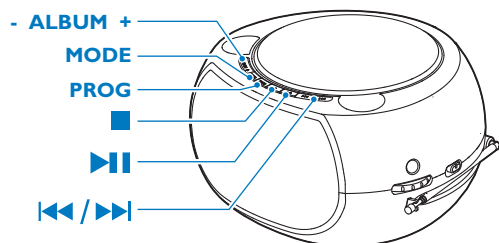


Play disk
Reproducción de discos
Reproduzir um disco

1

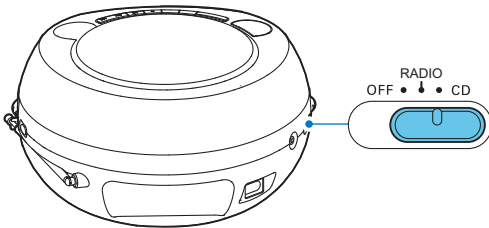


3





2



ALBUM
+ / -

EN For MP3-CDs, select an album.
ES Para CD con MP3, seleccione un álbum.
PT-BR Para CDs de MP3, seleccione um álbum.

MODE

EN Play a track/all tracks/an album repeatedly; play tracks randomly.
ES Reproducir una pista/todas las pistas/un álbum varias veces; reproducir pistas en forma aleatoria.
PT-BR Reproduza repetidamente uma faixa/todas as faixas/um álbum; reproduza as faixas aleatoriamente.

PROG

EN Program tracks.
ES Programar pistas.
PT-BR Programe as faixas.



EN Stop play or erase a program.
ES Detener la reproducción o borrar un programa.
PT-BR Interrompa a reprodução ou apague uma programação.



EN Pause or start play.
ES Iniciar la reproducción o hacer una pausa.
PT-BR Inicie ou pause a reprodução.



EN Skip to the previous/next track or search within play.
ES Pasar a la pista anterior/siguiente; buscar en la reproducción.
PT-BR Pule para a faixa anterior/seguinte; faça uma busca durante a reprodução.



Program tracks

- 1 In CD mode, press ■ to stop playback.
- 2 Press **PROG** to activate programming.
- 3 For MP3-CDs, press **ALBUM +/-** to select an album.
- 4 Press **⏮/⏭** repeatedly to select a track, then press **PROG** to confirm.
- 5 Repeat steps 3~4 to program more tracks.
- 6 Press **▶||** to play the programmed tracks.
- 7 To cancel the program, when playback is stopped, press ■.

Programación de pistas

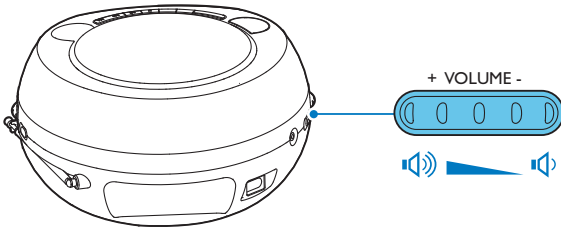
- 1 En modo CD, pulse ■ para detener la reproducción.
- 2 Pulse **PROG** para activar la programación.
- 3 Para CD con MP3, pulse **ALBUM +/-** para seleccionar un álbum.
- 4 Pulse **⏮/⏭** varias veces para seleccionar una pista y, a continuación, pulse **PROG** para confirmar.
- 5 Repita los pasos 3 y 4 para programar más pistas.
- 6 Pulse **▶||** para reproducir las pistas programadas.
- 7 Para borrar la programación, presione ■ cuando la reproducción se haya detenido.

Programar faixas

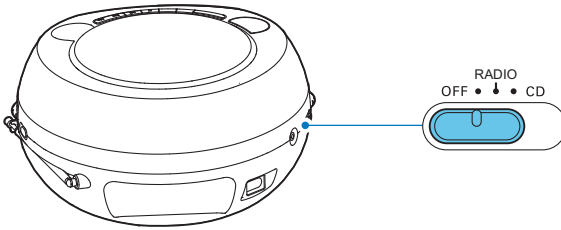
- 1 No modo CD, pressione ■ para interromper a reprodução.
- 2 Pressione **PROG** para ativar a programação.
- 3 Para CDs de MP3, pressione **ALBUM +/-** para seleccionar um álbum.
- 4 Pressione várias vezes **⏮/⏭** para selecionar uma faixa e pressione **PROG** para confirmar.
- 5 Repita as etapas 3 e 4 para programar mais faixas.
- 6 Pressione **▶||** para reproduzir as faixas programadas.
- 7 Para apagar uma programação enquanto a reprodução foi interrompida, pressione ■.



Adjust volume
Ajuste del volumen
Ajustar volume

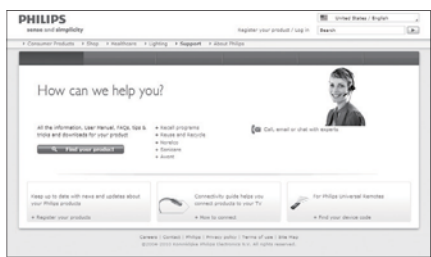


Turn the device off
Apague el dispositivo
Desligar o dispositivo

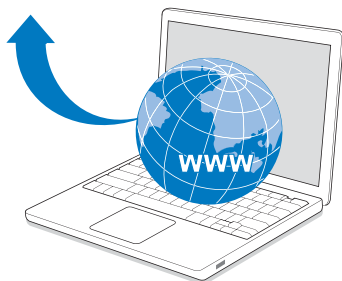




For online help
Para ayuda en línea
Para ajuda online



www.philips.com/support



EN Need help? Visit www.philips.com/support

ES ¿Necesita ayuda? Visite www.philips.com/support

PT-BR Precisa de ajuda? Acesse www.philips.com/support



Warning and maintenance
Advertencia y mantenimiento
Aviso e manutenção



Evite o uso prolongado do aparelho com volume superior a 85 decibéis pois isto poderá prejudicar a sua audição.



Specifications are subject to change without notice
©2011 Koninklijke Philips Electronics N.V.
All rights reserved.

AZ300_55_UM_V1.0



Register your product and get support at
www.philips.com/welcome

AZ300



PHILIPS

Congratulations on your purchase and welcome to Philips!

To fully benefit from the support that Philips offers, register your product at www.philips.com/welcome.

1 Important

- Read these instructions.
- Follow all instructions.
- Do not block any ventilation openings. Install in accordance with the manufacturer's instructions.
- Do not install near any heat sources such as radiators, heat registers, stoves, or other apparatus (including amplifiers) that produce heat.
- Protect the power cord from being walked on or pinched, particularly at plugs, convenience receptacles, and the point where they exit from the unit.
- Only use attachments/accessories specified by the manufacturer.
- Unplug this unit during lightning storms or when unused for long periods of time.
- Refer all servicing to qualified service personnel. Servicing is required when the unit has been damaged in any way, such as power-supply cord or plug is damaged, liquid has been spilled or objects have fallen into the apparatus, the unit has been exposed to rain or moisture, does not operate normally, or has been dropped.
- Battery usage **CAUTION** – To prevent battery leakage which may result in bodily injury, property damage, or damage to the unit:
- Install all batteries correctly, + and - as marked on the unit.
- Do not mix batteries (old and new or carbon and alkaline, etc.).
- Remove batteries when the unit is not used for a long time.
- The unit shall not be exposed to dripping or splashing.
- Do not place any sources of danger on the unit (e.g. liquid filled objects, lighted candles).

- Where the MAINS plug or an appliance coupler is used as the disconnect device, the disconnect device shall remain readily operable.

Know these safety symbols



This 'bolt of lightning' indicates uninsulated material within your unit may cause an electrical shock. For the safety of everyone in your household, please do not remove product covering.

The 'exclamation point' calls attention to features for which you should read the enclosed literature closely to prevent operating and maintenance problems.

WARNING: To reduce the risk of fire or electric shock, this apparatus should not be exposed to rain or moisture and objects filled with liquids, such as vases, should not be placed on this apparatus.

CAUTION: To prevent electric shock, match wide blade of plug to wide slot, fully insert.



Warning

- Never remove the casing of this apparatus.
- Never lubricate any part of this apparatus.
- Never place this apparatus on other electrical equipment.
- Keep this apparatus away from direct sunlight, naked flames or heat.
- Ensure that you always have easy access to the power cord, plug or adaptor to disconnect the apparatus from the power.



Caution

- Use of controls or adjustments or performance of procedures other than herein may result in hazardous radiation exposure or other unsafe operation.

2 Notice

Any changes or modifications made to this device that are not expressly approved by Philips Consumer Lifestyle may void the user's authority to operate the equipment.

Disposal of your old product and batteries

Your product is designed and manufactured with high quality materials and components, which can be recycled and reused.

Never dispose of your product with other household waste. Please inform yourself about the local rules on the separate collection of electrical and electronic products and batteries. The correct disposal of these products helps prevent potentially negative consequences on the environment and human health.

Your product contains batteries, which cannot be disposed of with normal household waste.

Please inform yourself about the local rules on separate collection of batteries. The correct disposal of batteries helps prevent potentially negative consequences on the environment and human health.

Please visit www.recycle.philips.com for additional information on a recycling center in your area.

Environmental information

All unnecessary packaging has been omitted. We have tried to make the packaging easy to separate into three materials: cardboard (box), polystyrene foam (buffer) and polyethylene (bags, protective foam sheet.)

Your system consists of materials which can be recycled and reused if disassembled by a specialized company. Please observe the local regulations regarding the disposal of packaging materials, exhausted batteries and old equipment.

This apparatus includes this label:



Note

- The type plate is located on the bottom of the apparatus.

3 Specifications

Amplifier

Rated Output Power	2 X 1 W RMS
Frequency Response	80 Hz - 16 kHz, ± 3 dB
Signal to Noise Ratio	50 dB
MP3 Link Input	0.5 V RMS 20 kohm

Discs

Laser Type	Semiconductor
Disc Diameter	12cm/8cm
Support Disc	CD-DA, CD-R, CD-RW

Audio DAC	24Bits / 44.1kHz
Total Harmonic Distortion	<1%
Frequency Response	60Hz -16kHz
S/N Ratio	55dBA

Tuner

Tuning Range	FM: 87.5 - 108 MHz; MW: 530 - 1700 kHz;
Total Harmonic Distortion	<3%
Signal to Noise Ratio	40 dB

General information

AC power	110–127 V / 220–240 V ~, 50/60 Hz
Operation Power Consumption	15 W
Standby Power Consumption	1.5 W
Batteries	9 V, 6 x R14/UM2/C Cell
Dimensions - Main Unit (W x H x D)	245 x 130 x 212 mm
Weight - With Packing - Main Unit	1.8 kg 1.4 kg

